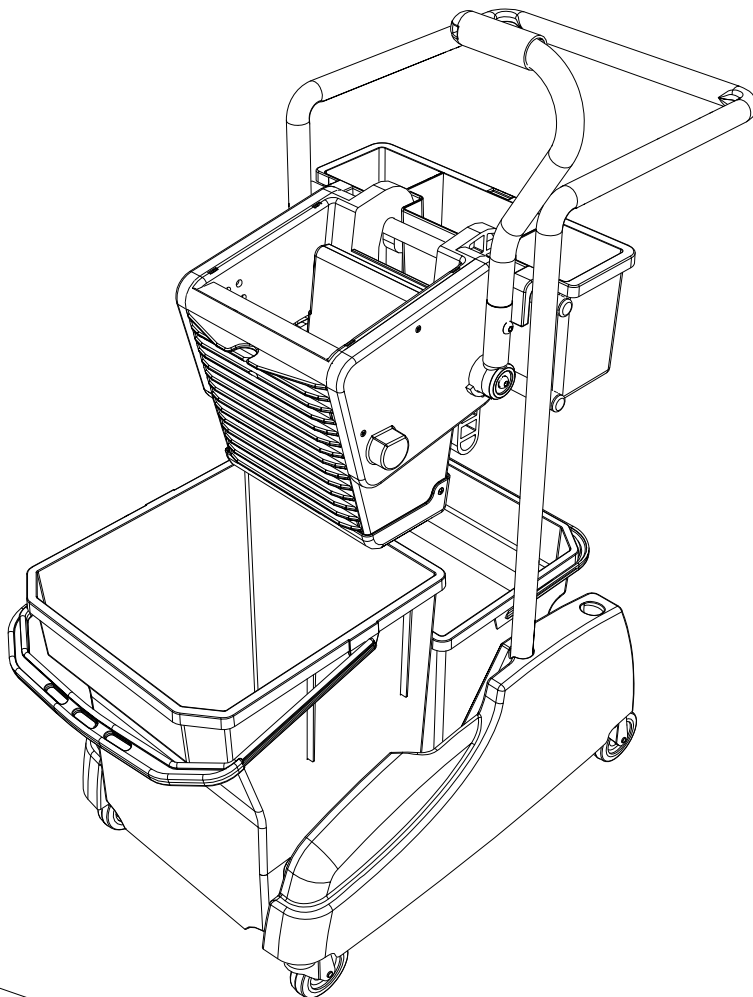
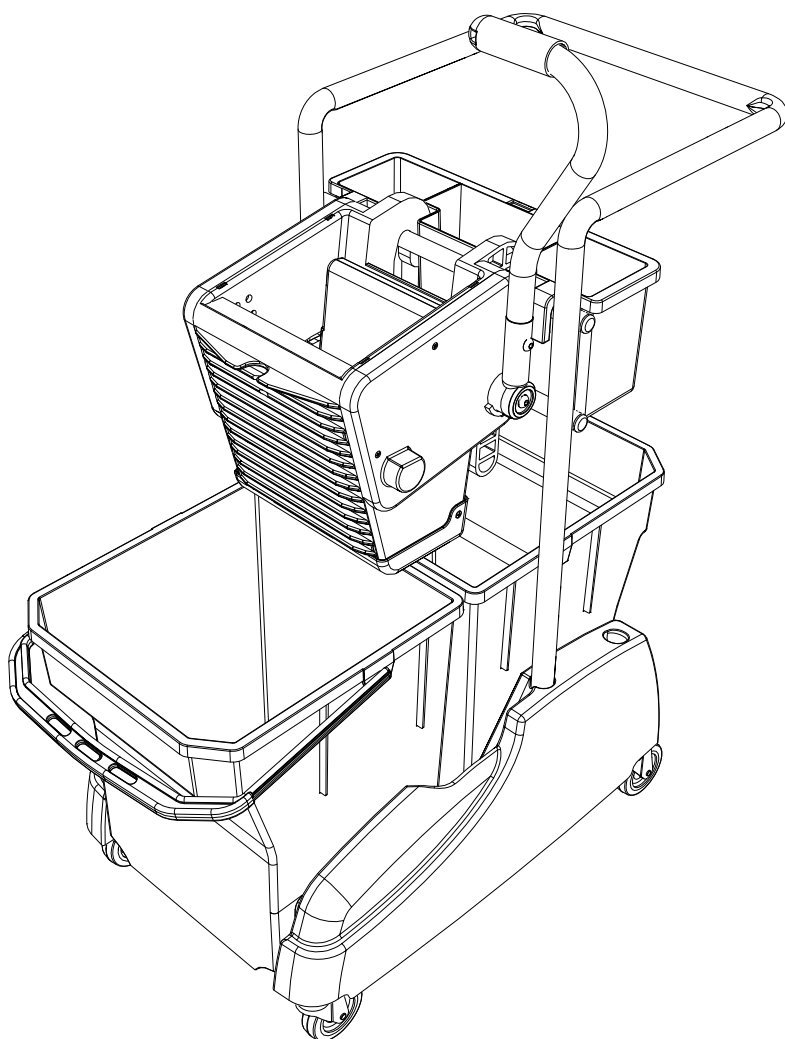


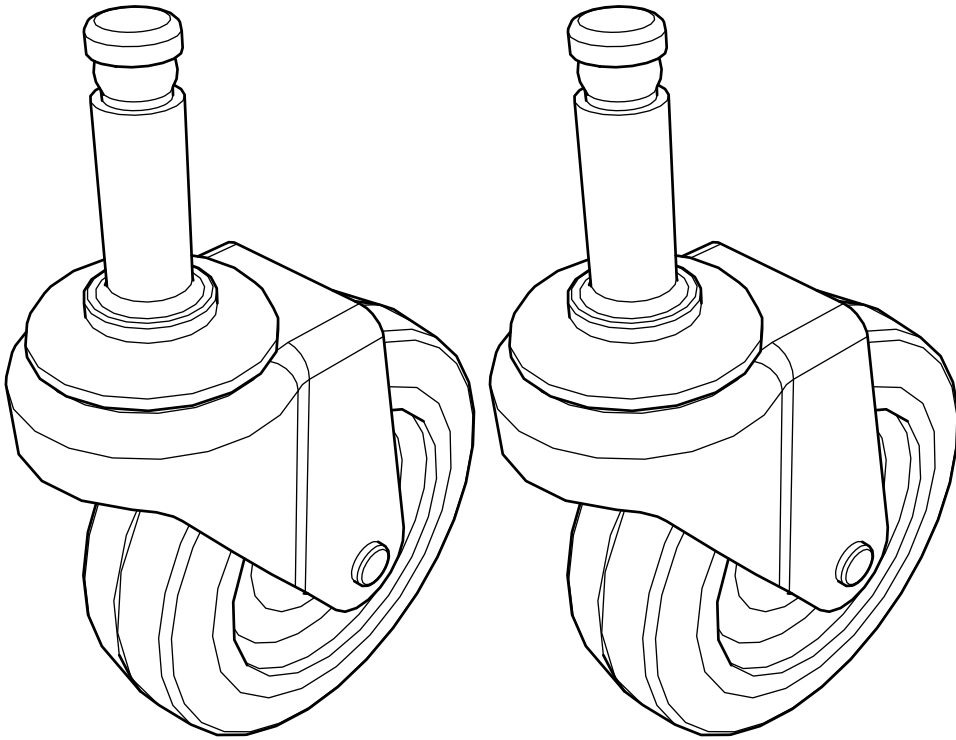
# TM-2815



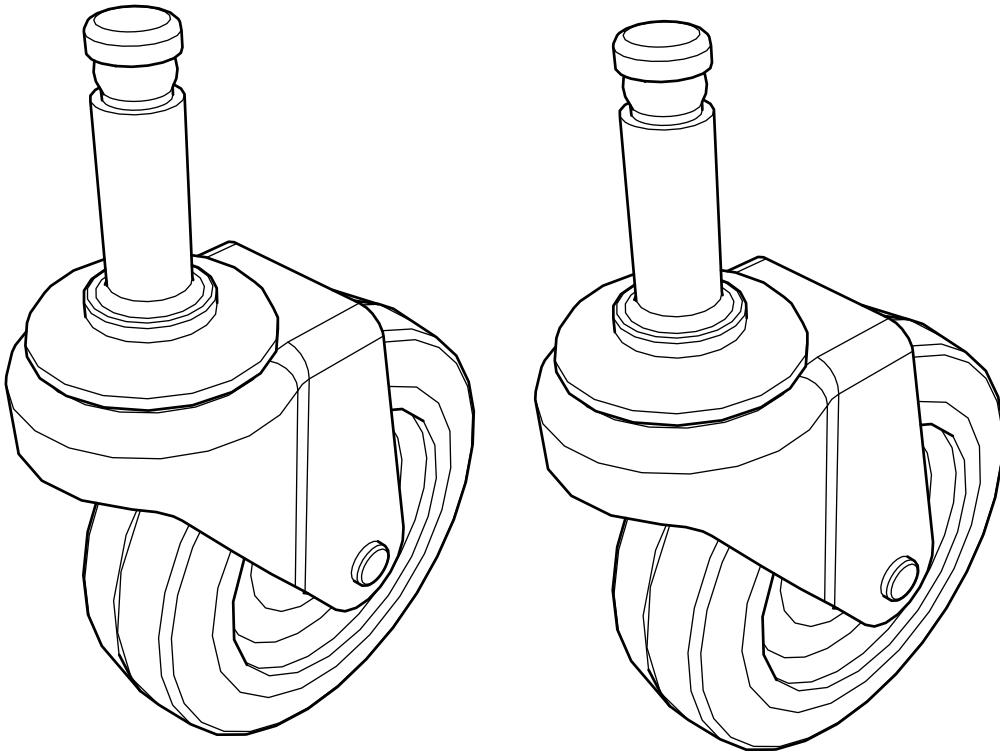
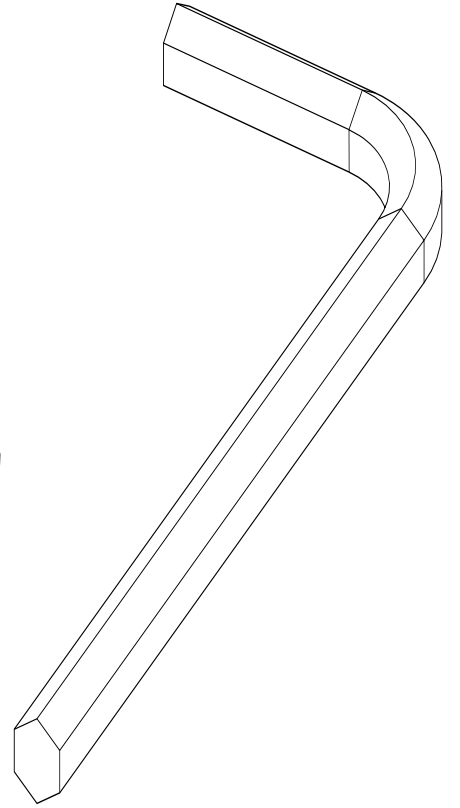
# TM-2828



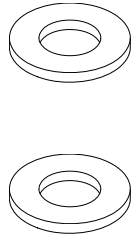
204060



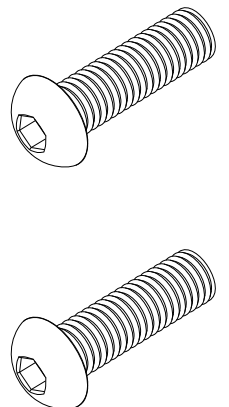
219961

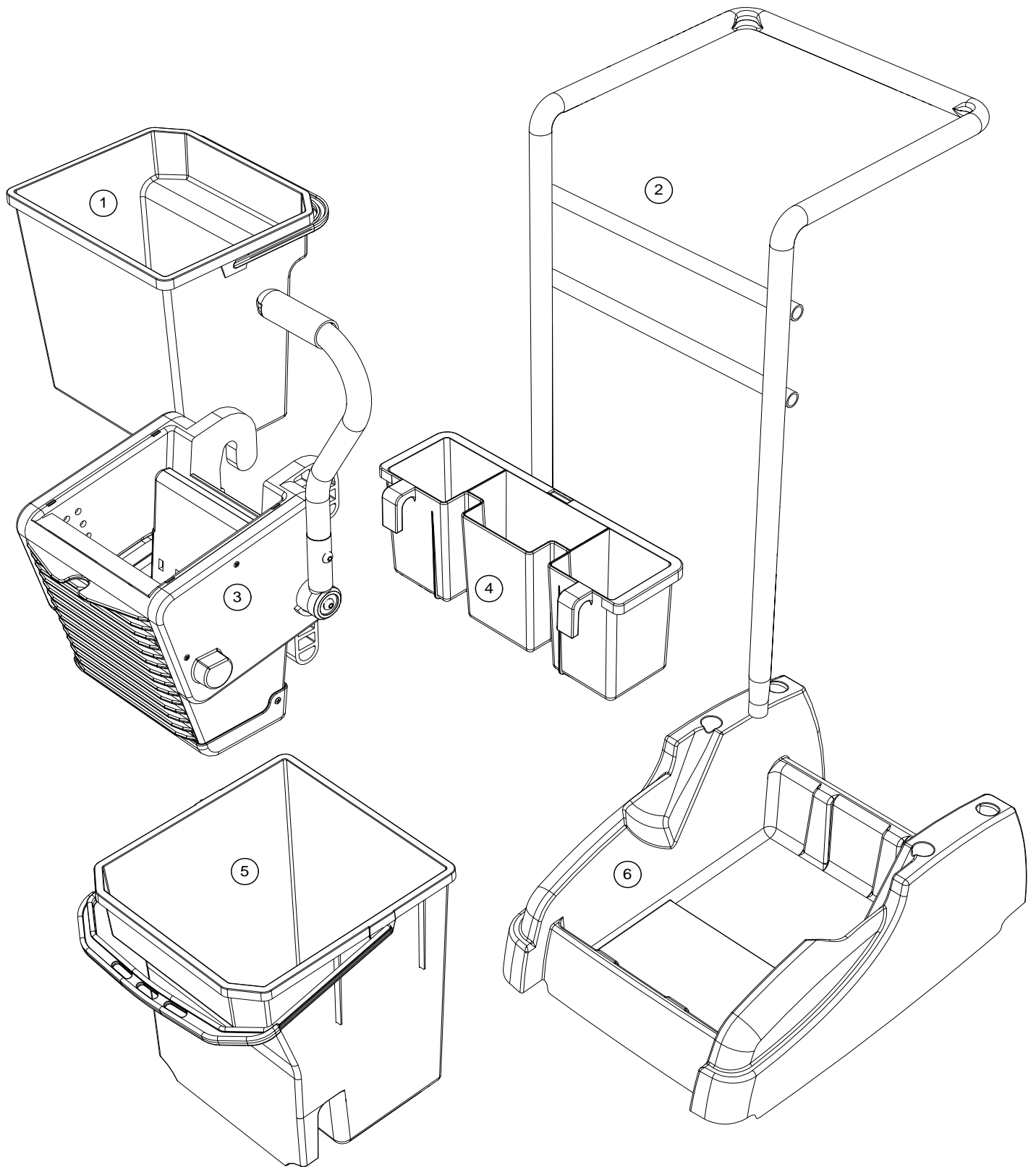


221154



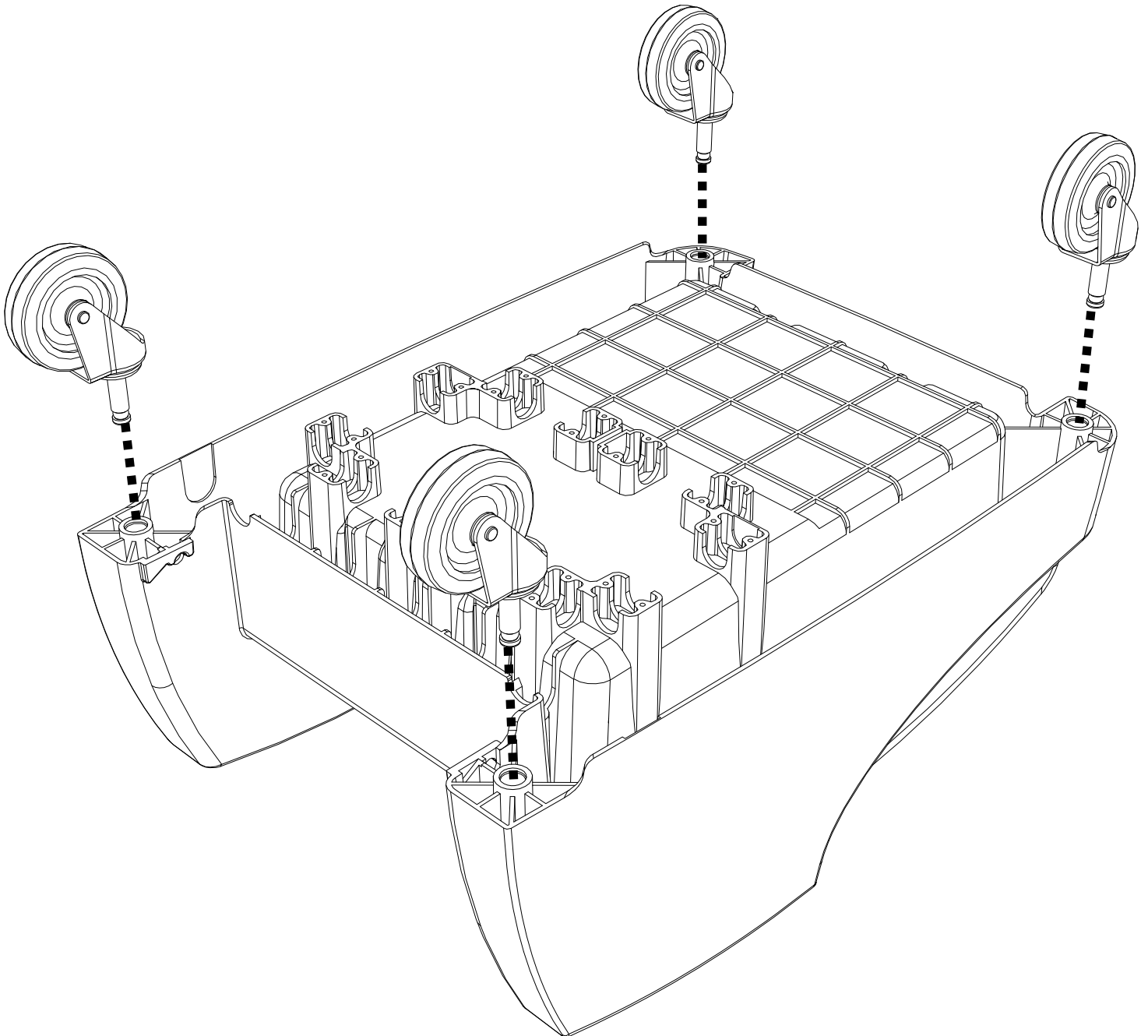
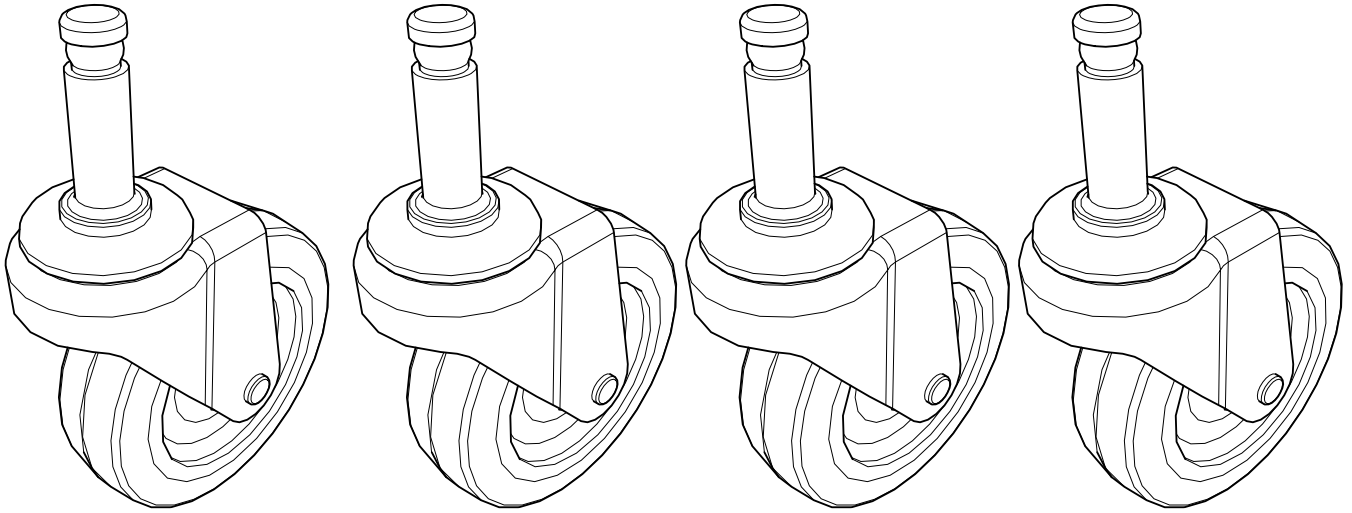
219555

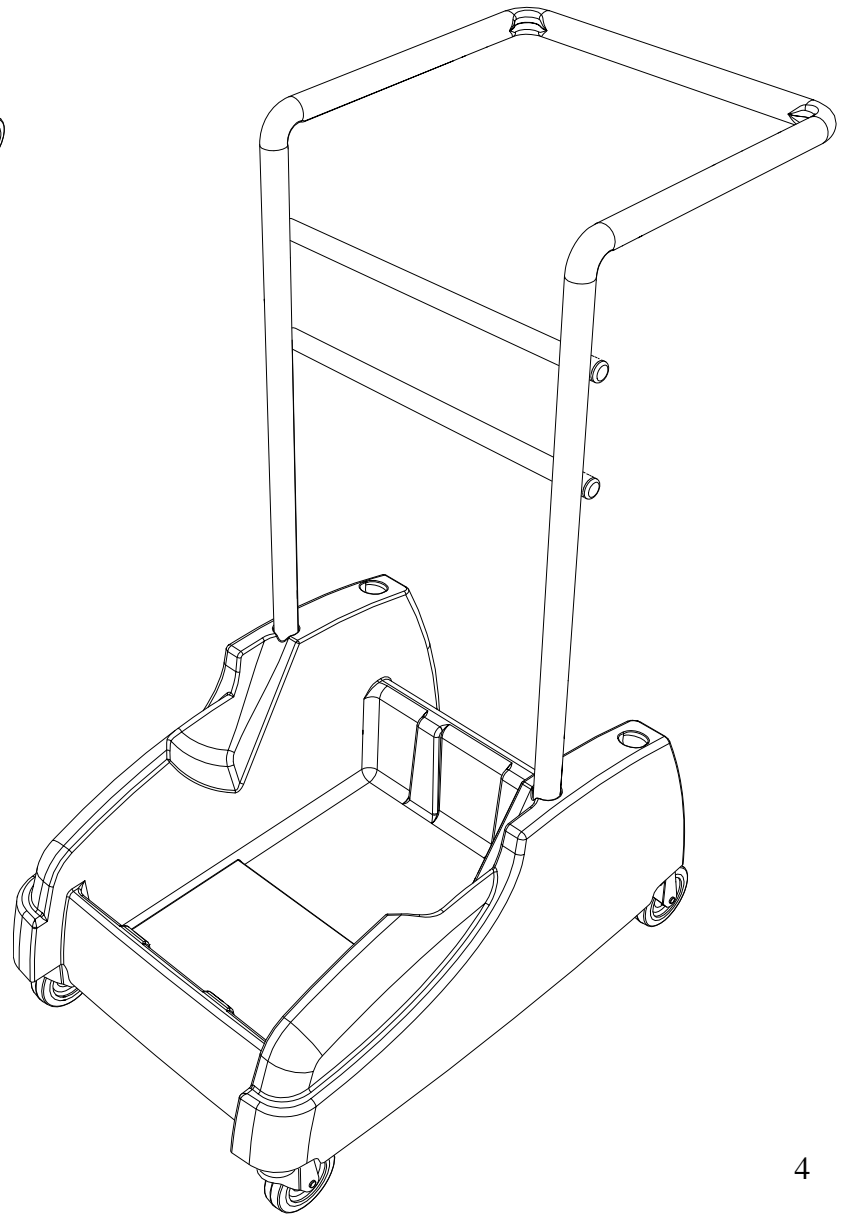
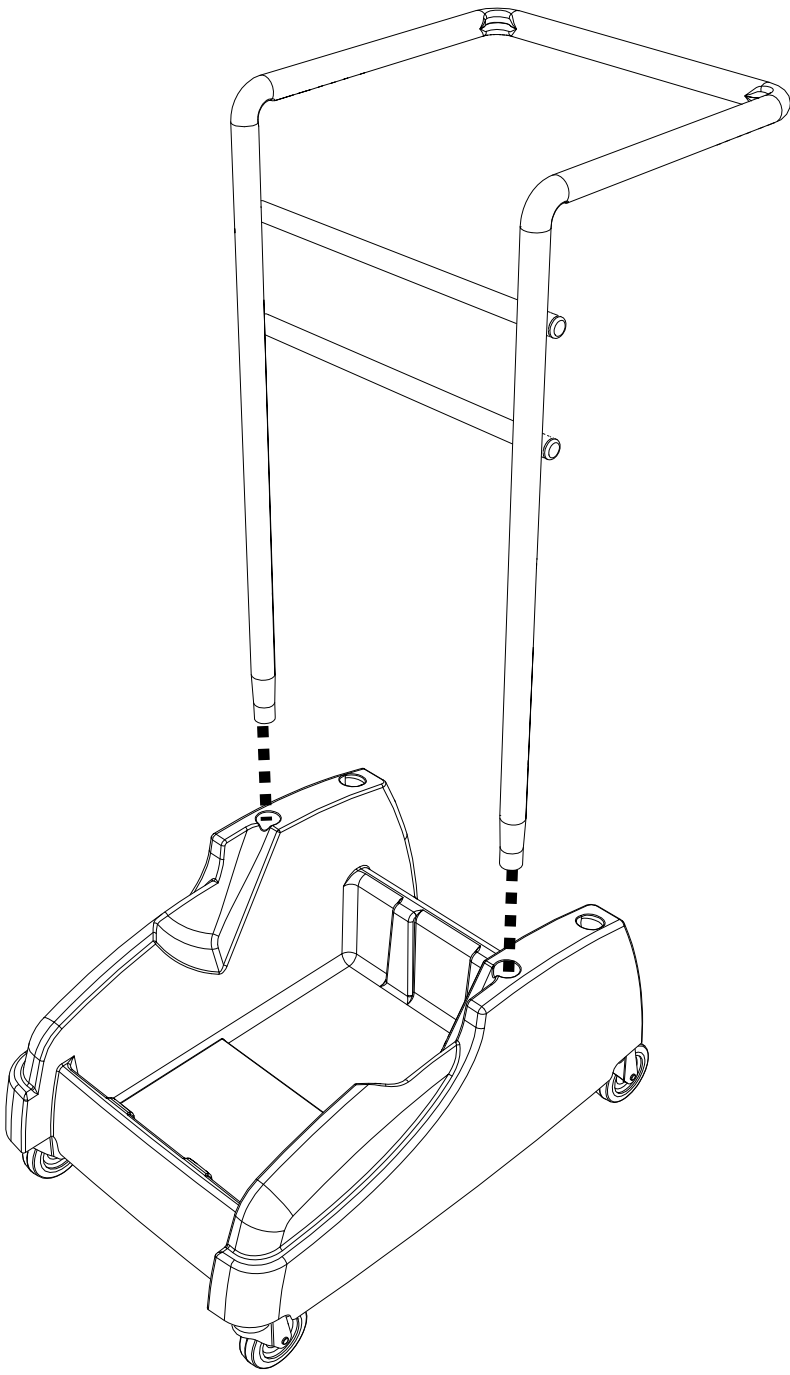


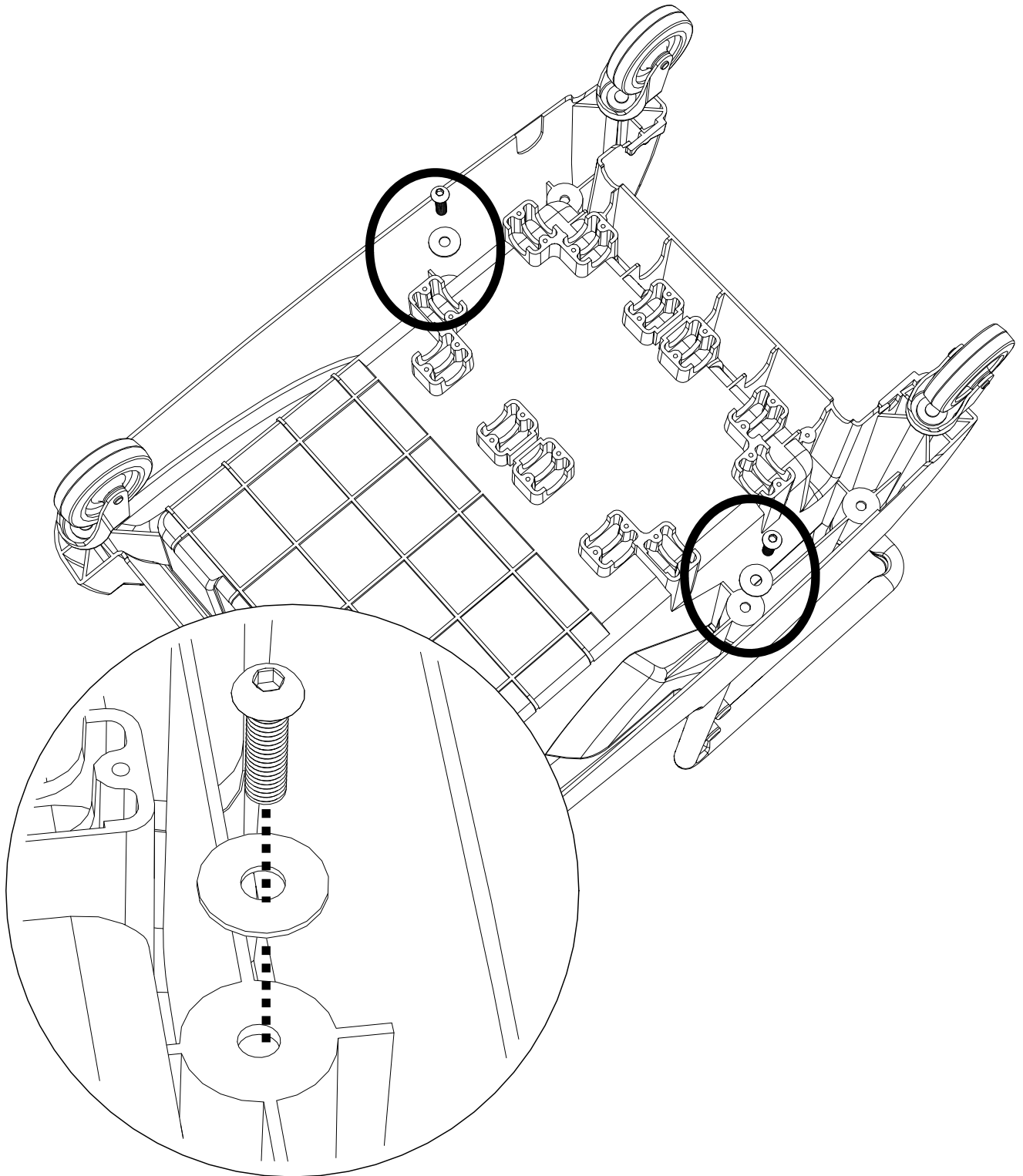
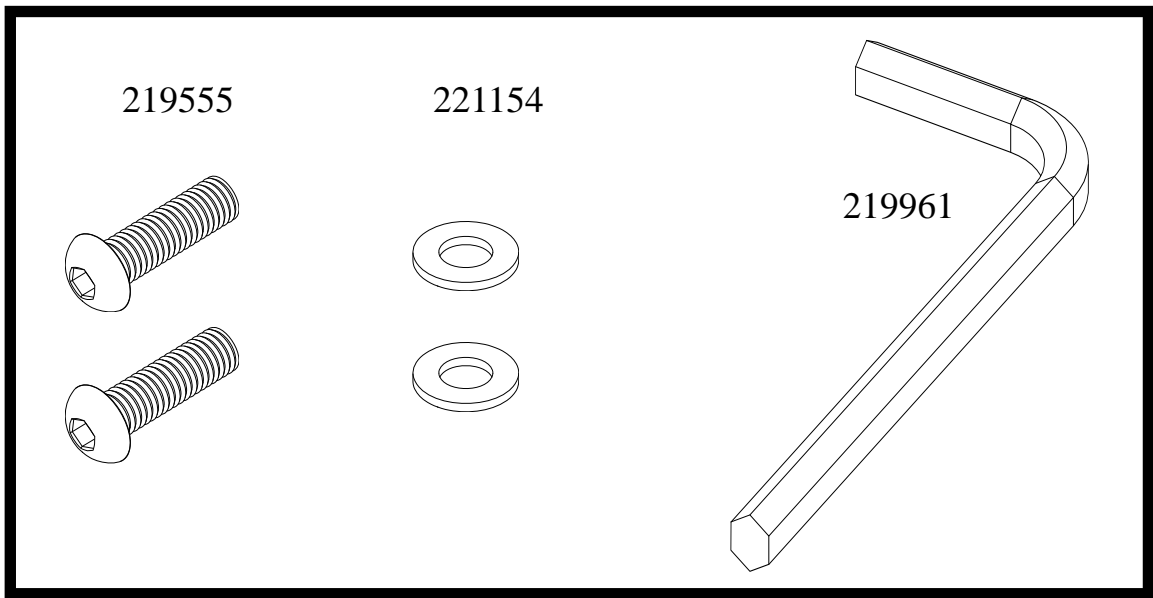


ITEM	PART	DESCRIPTION	QTY
1	628878	15LTR RED (BLUE 628879 :GREEN 628881 :YELLOW 628882)	—
2	418860	UPRIGHT	1
3	518141	MOPRESS	1
4	628298	CADDY	1
5	628296	28LTR BLUE (RED 628295 :GREEN 628292 :YELLOW 628293 )	—
6	338785	BASE	1

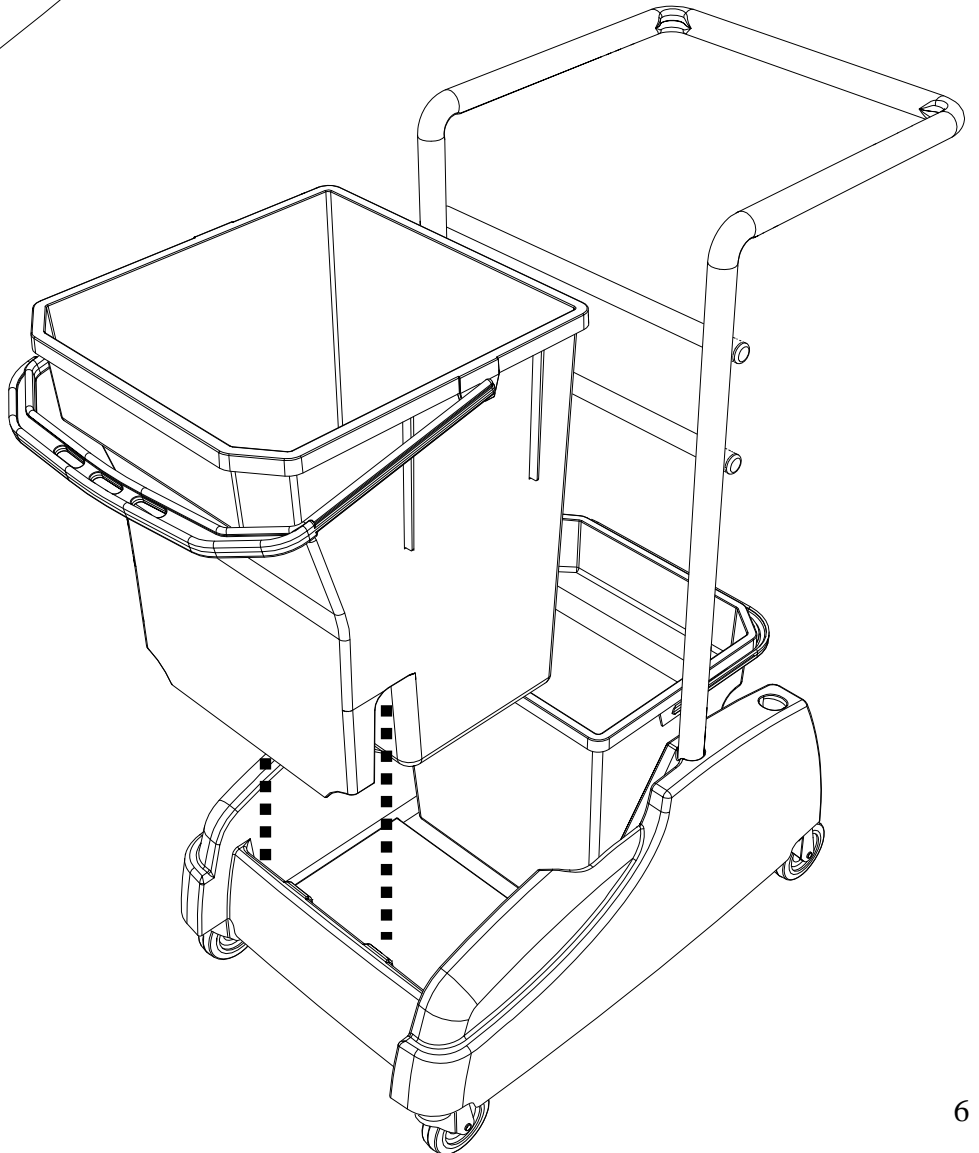
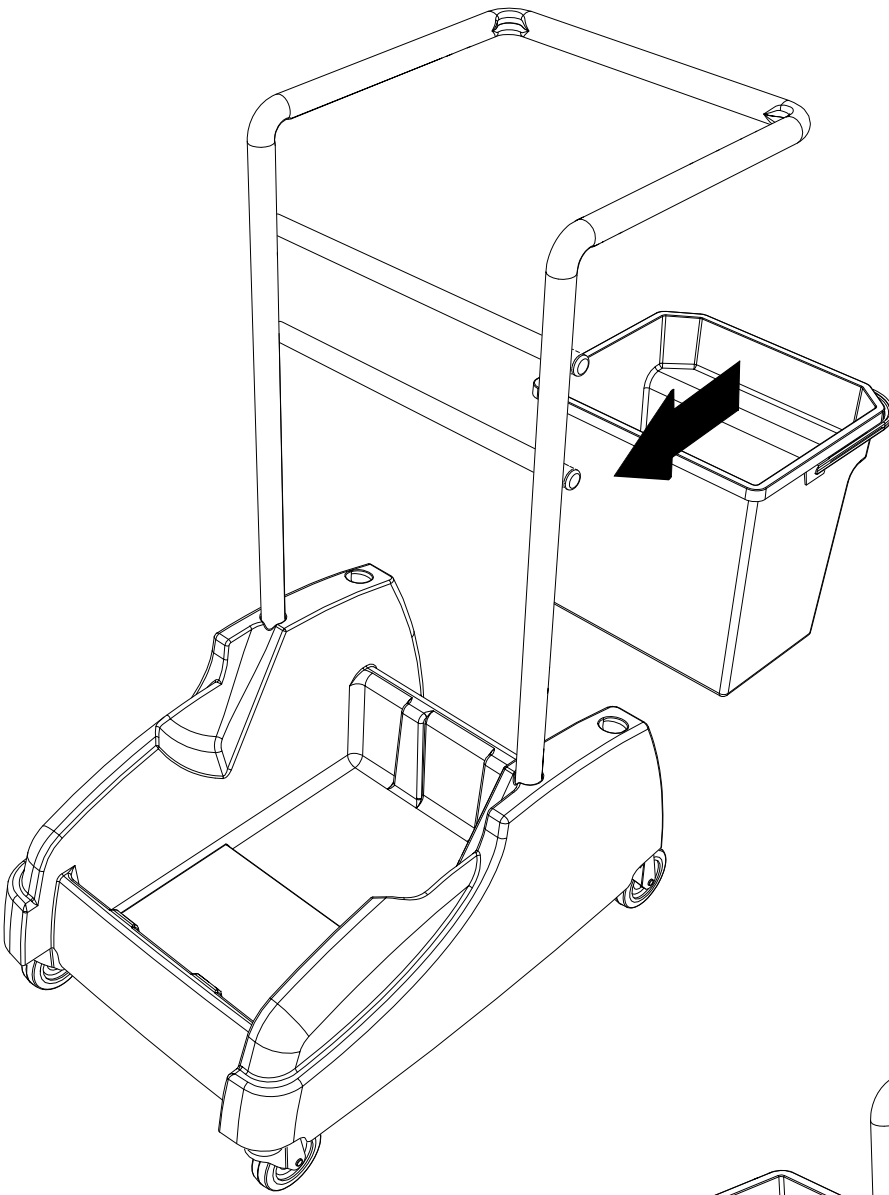
204060







TM-2815



TM-2828

