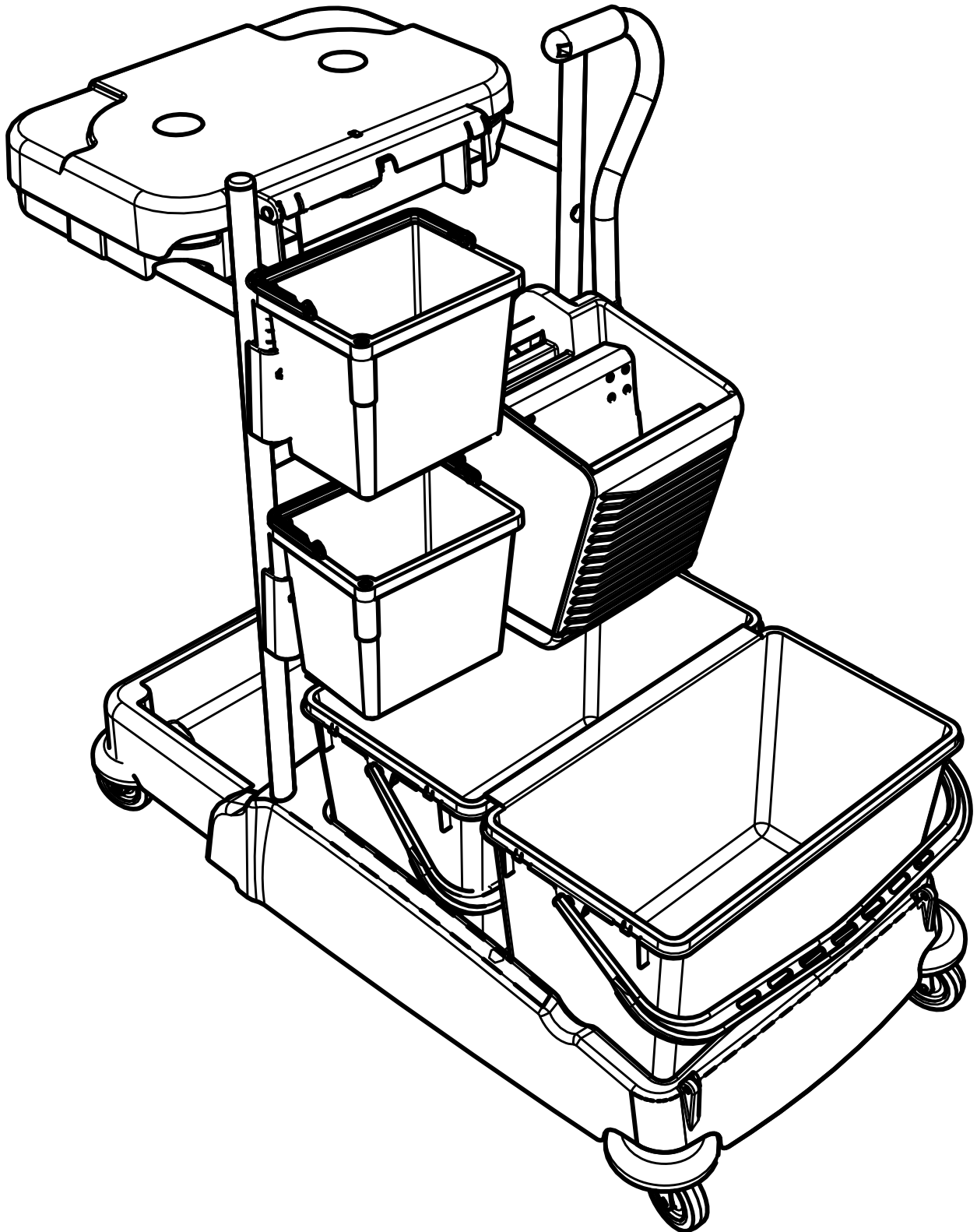
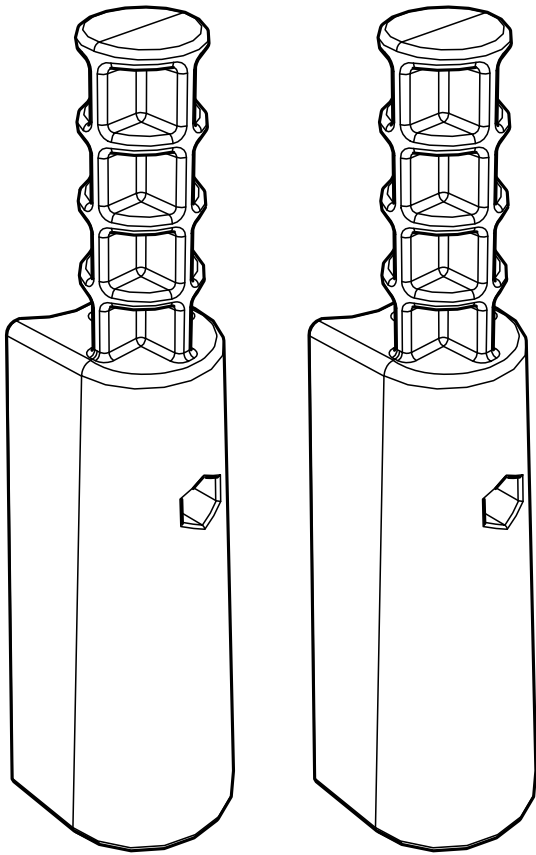


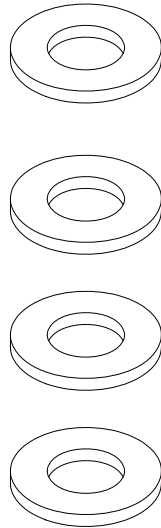
VCN 1404 C/W BKT2



223316



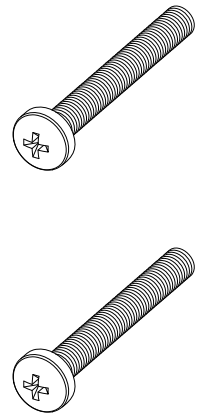
221154



219076
M5

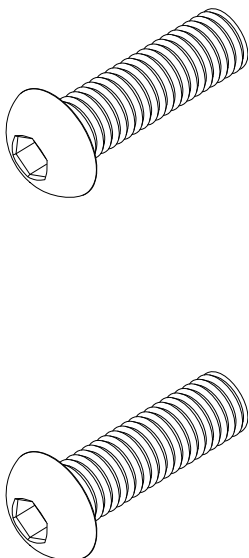


221150
M5 X 45

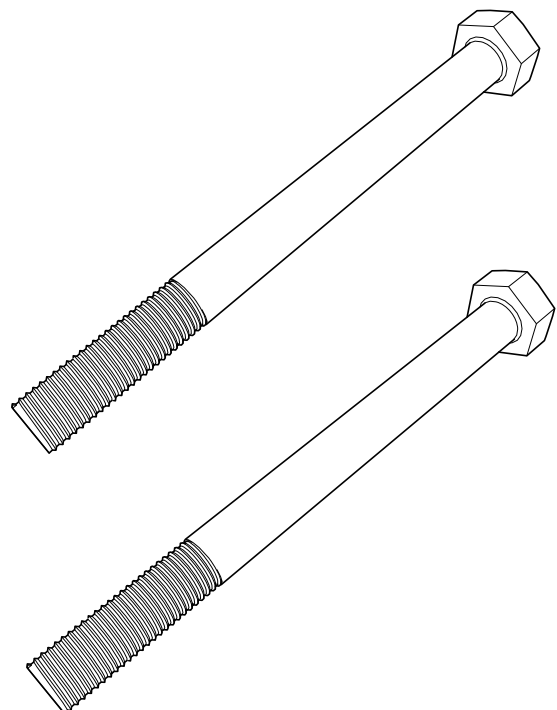
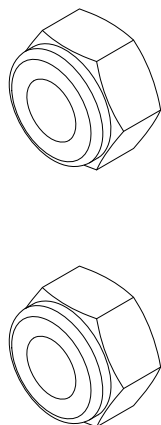


219880
M8 X 90

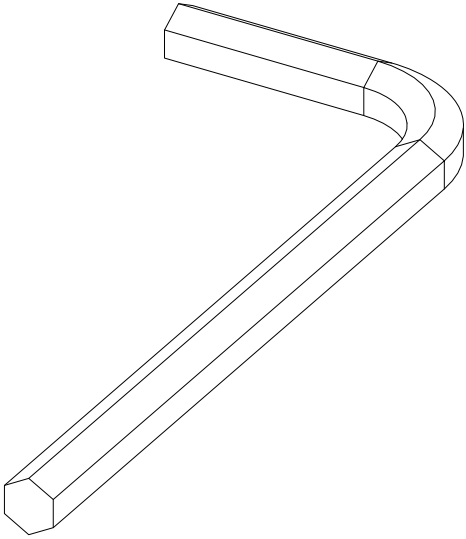
219817
M8 X 30



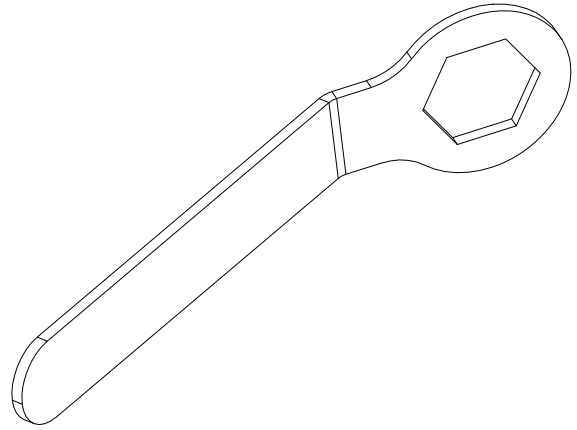
219078
M8



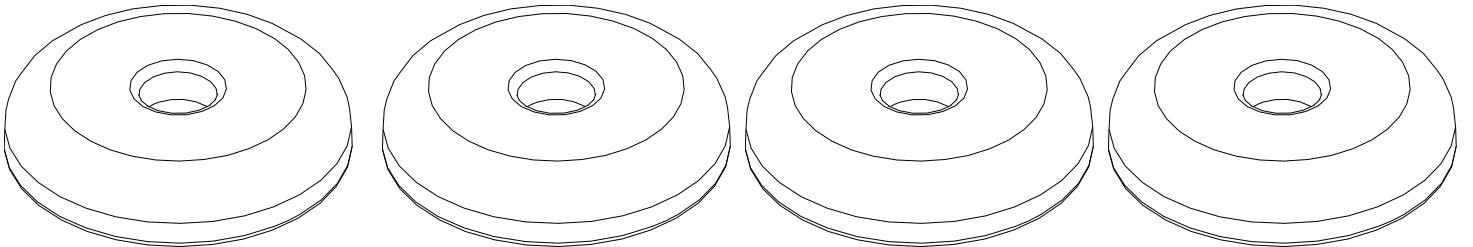
219554



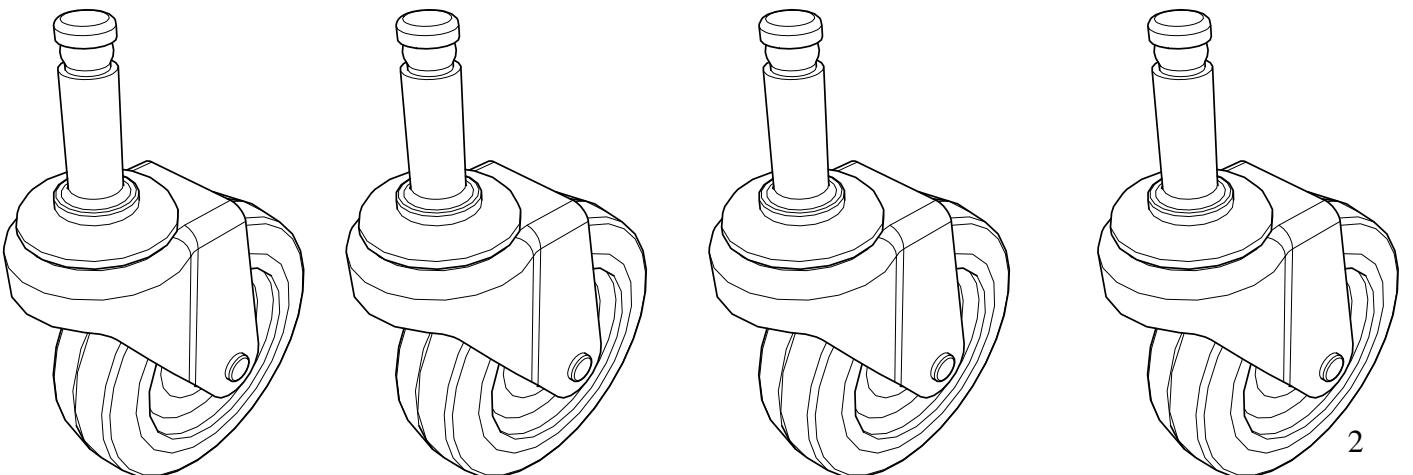
338690

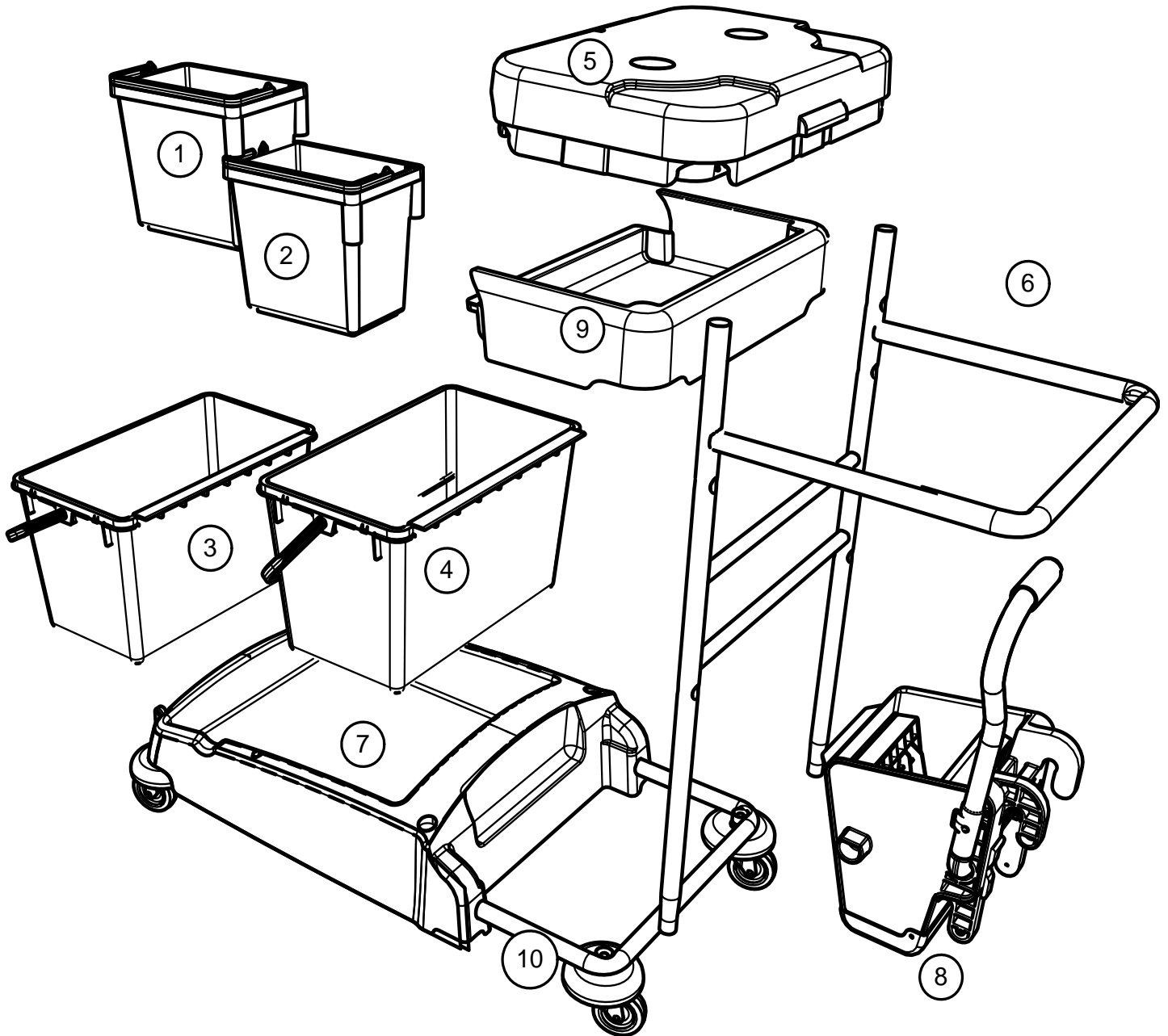


227479

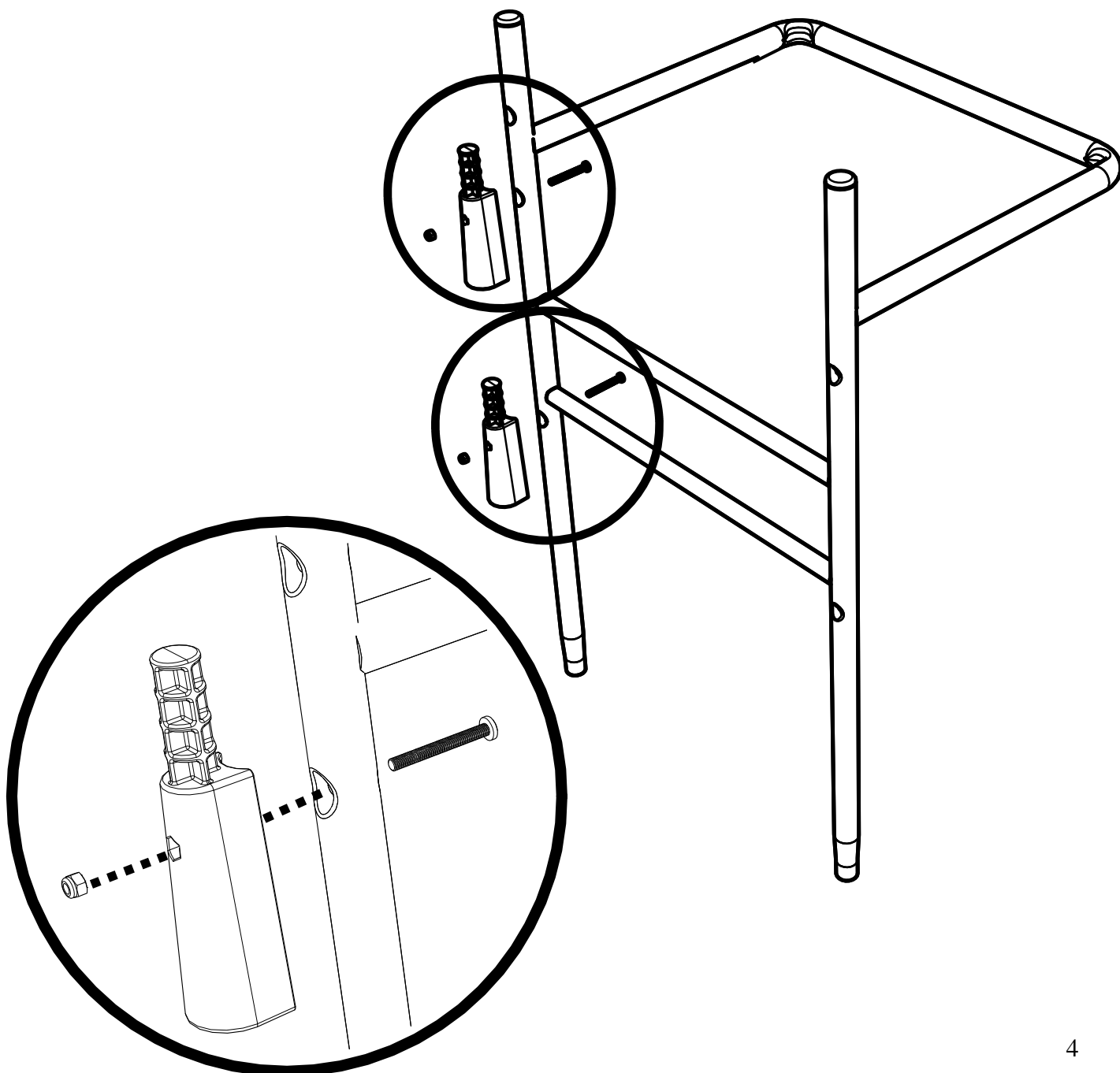
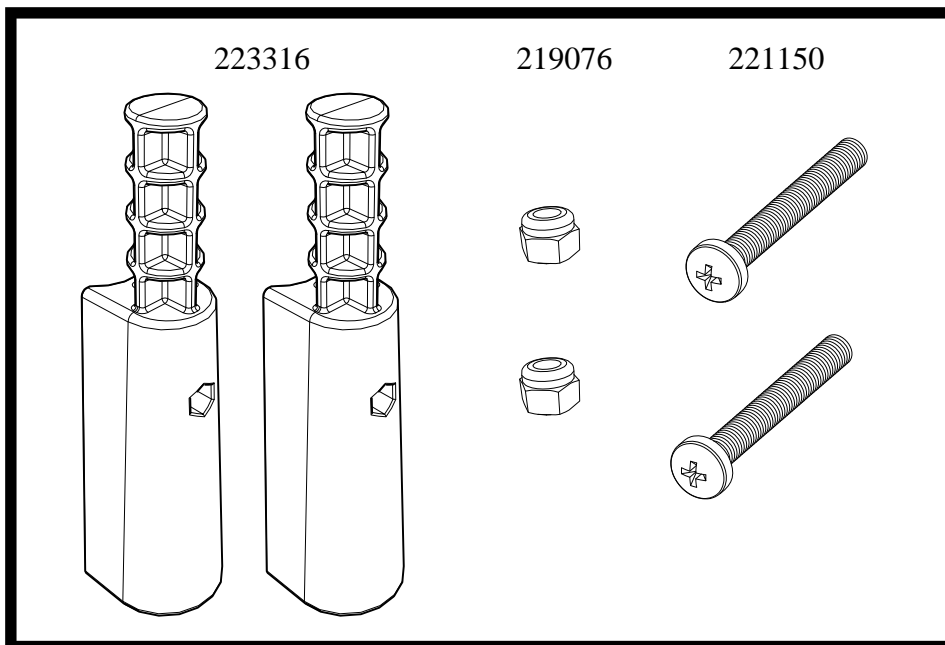


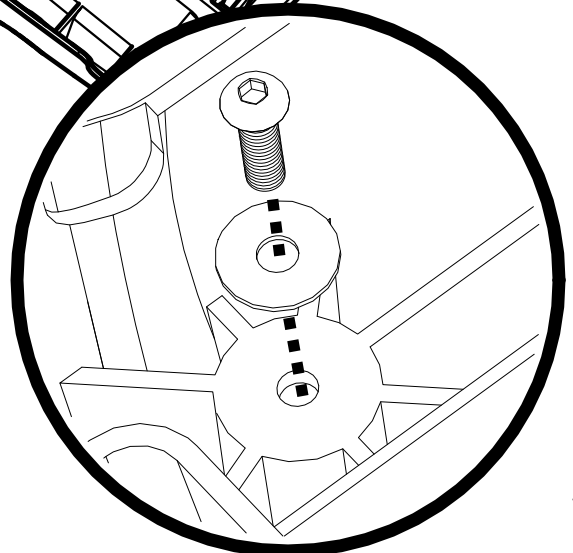
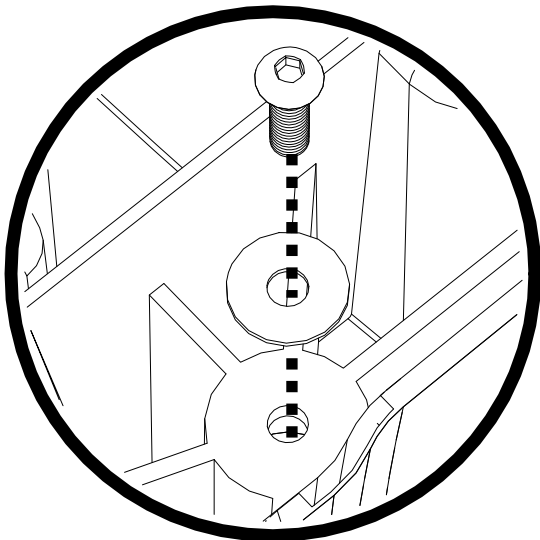
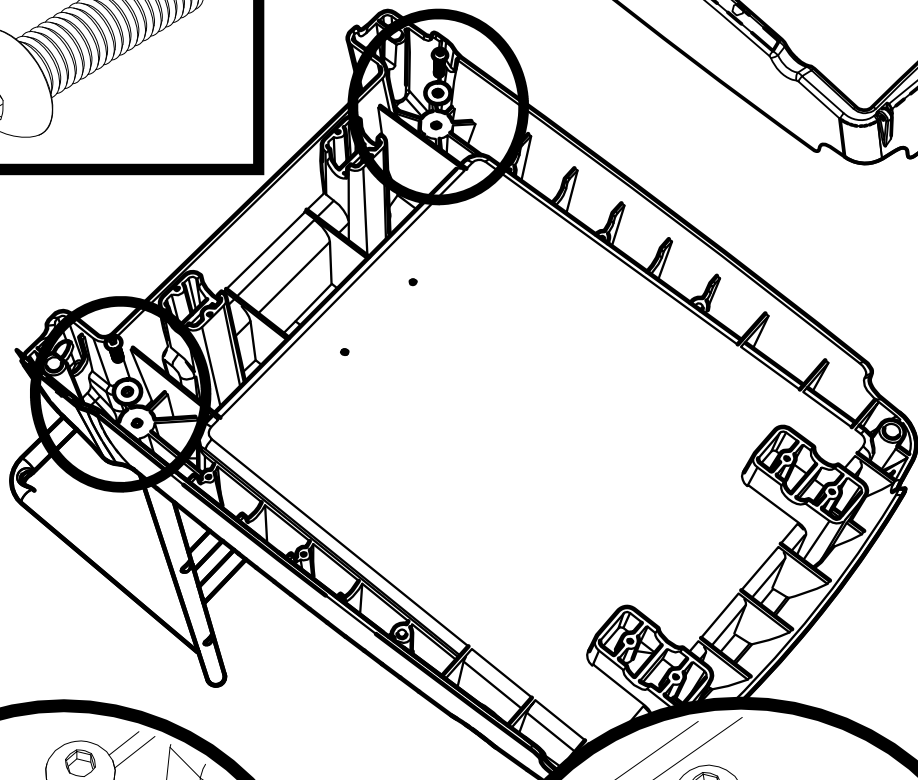
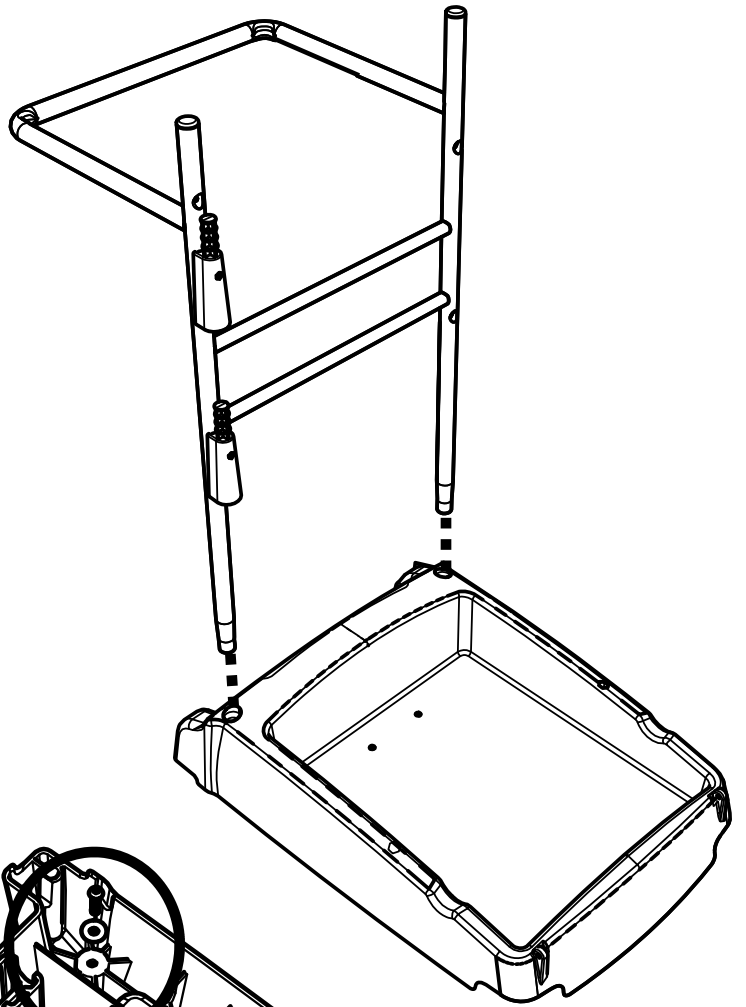
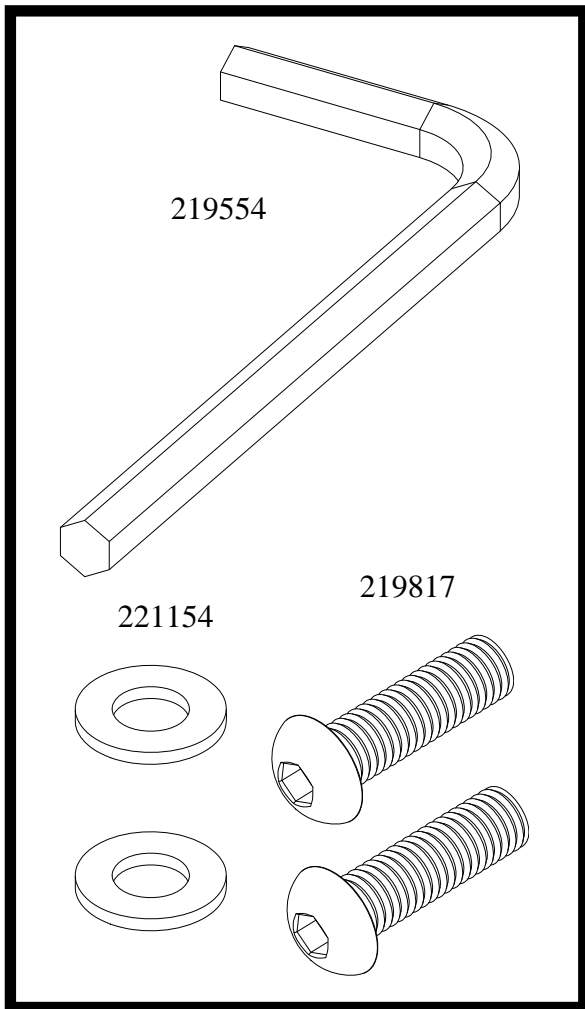
204060

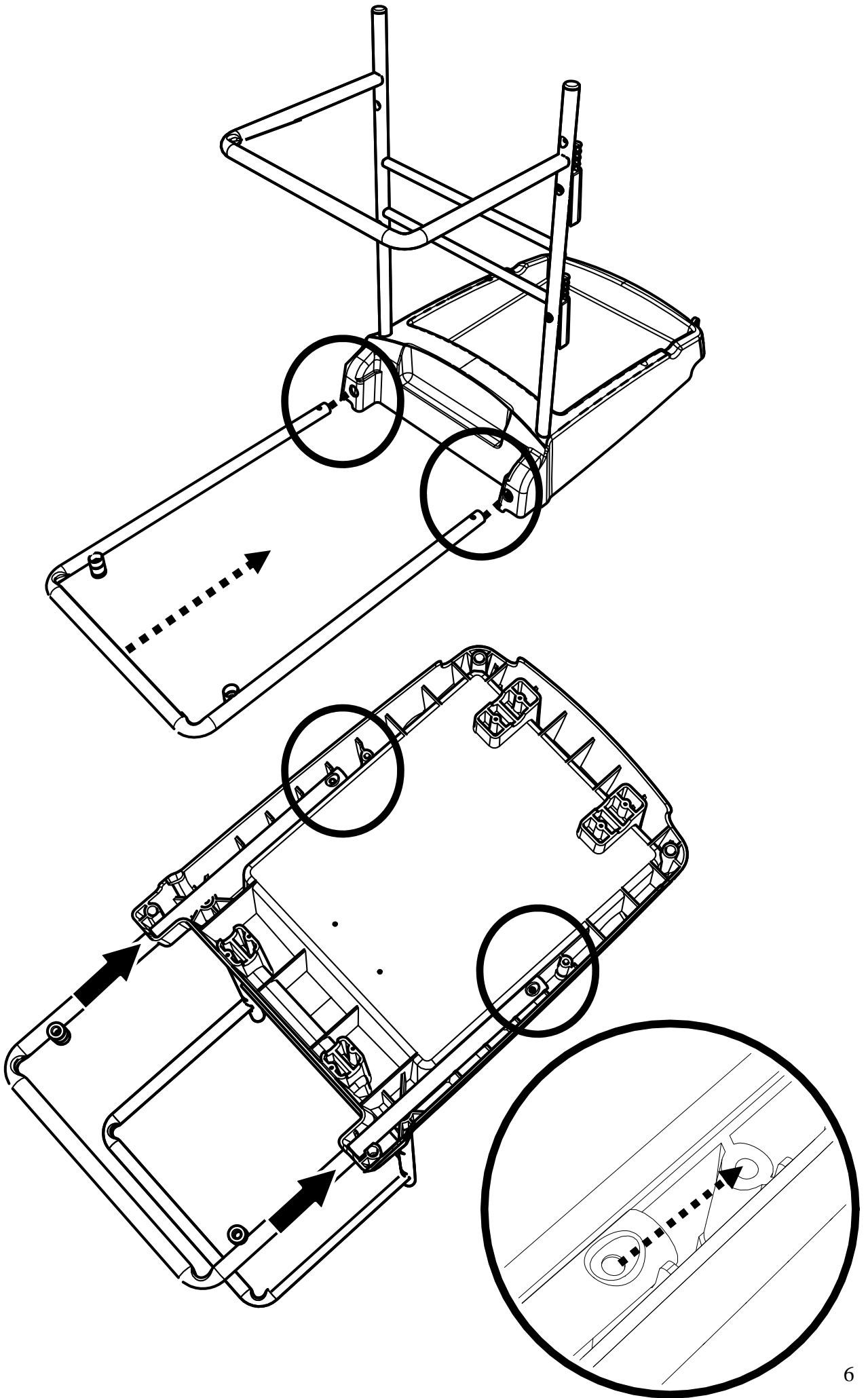




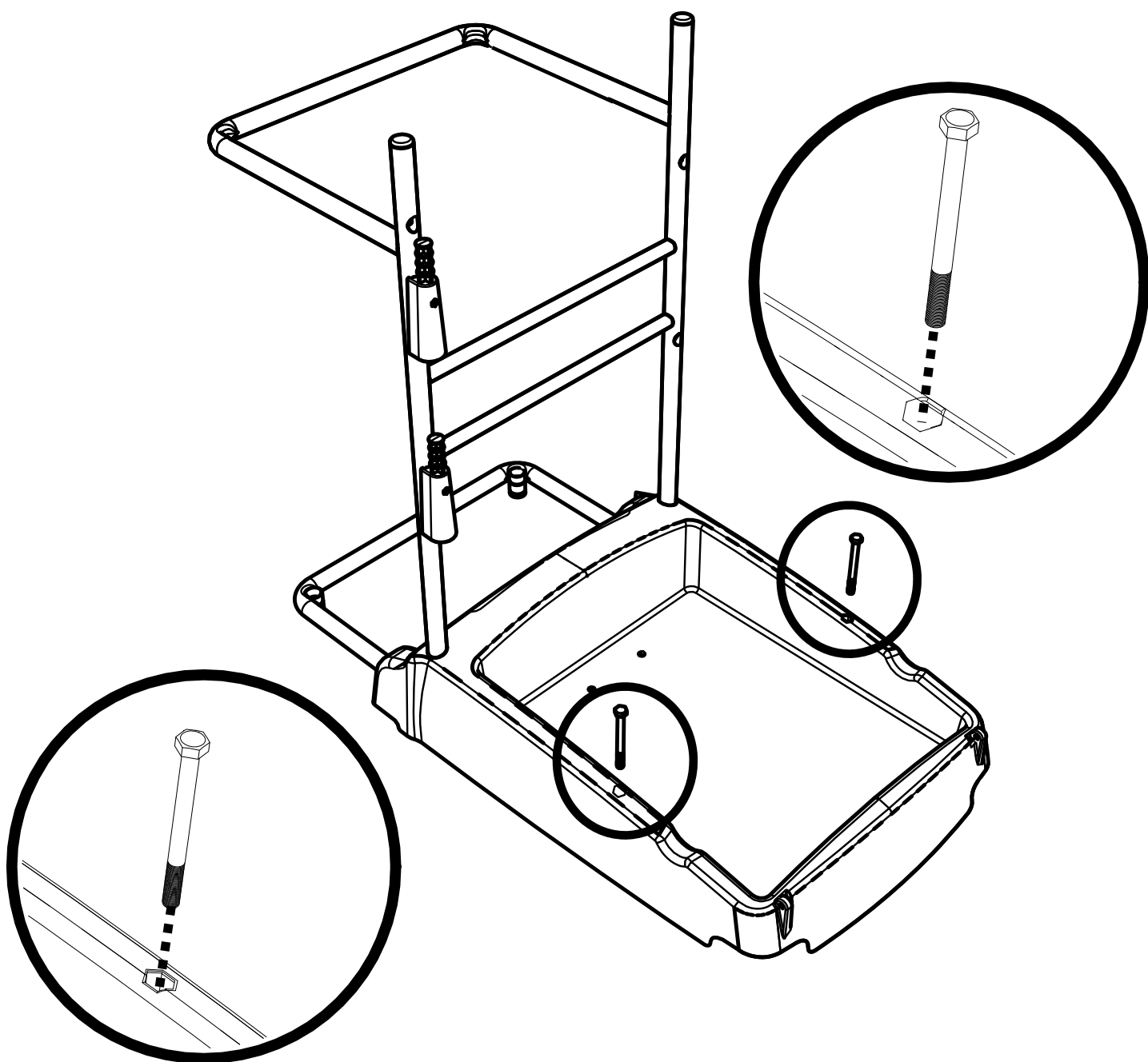
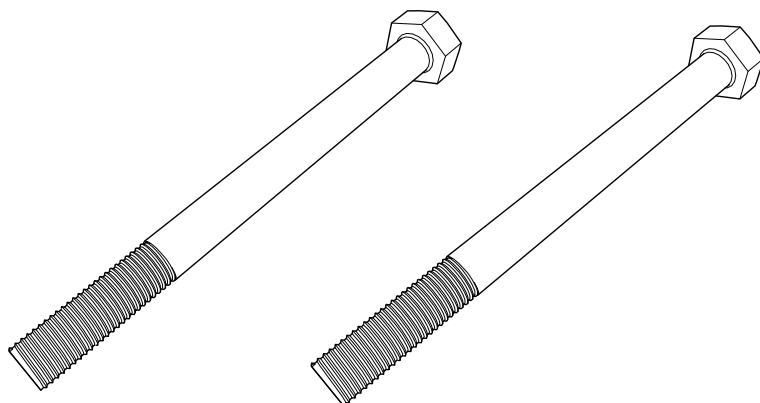
ITEM	PART	DESCRIPTION	QTY
1	629663	5LTR SWING PAIL BLACK	1
2	629664	5LTR SWING PAIL GREY	1
3	629667	22LTR BUCKET BLACK	1
4	629666	22LTR BUCKET GREY	1
5	338257	LIDSET	1
6	418824	UPRIGHT	1
7	339392	TROLLEY BASE	1
8	518171	MOP PRESS	1
9	223562	TRAY	1
10	418825	EXTENSION FRAME	1

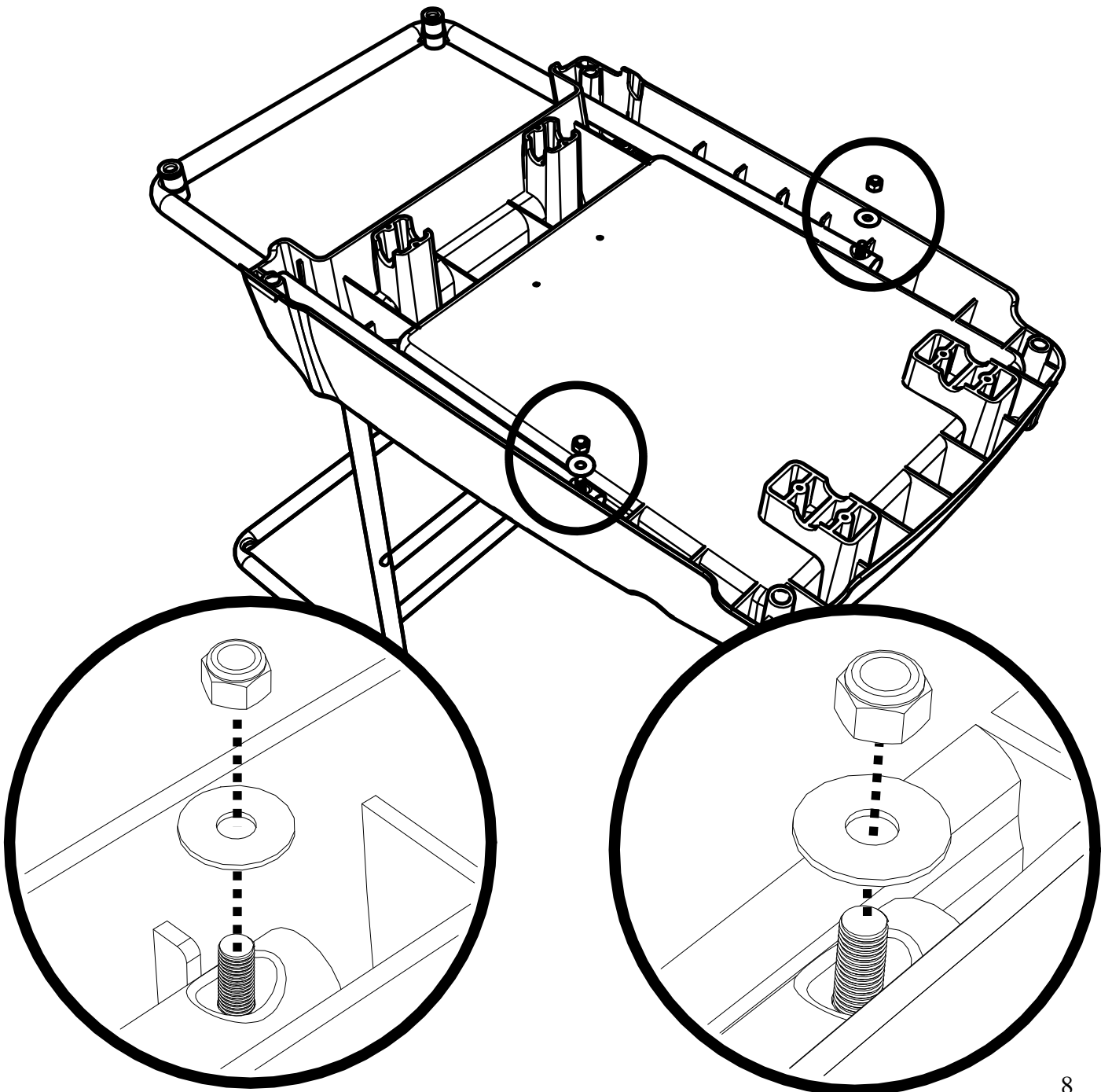
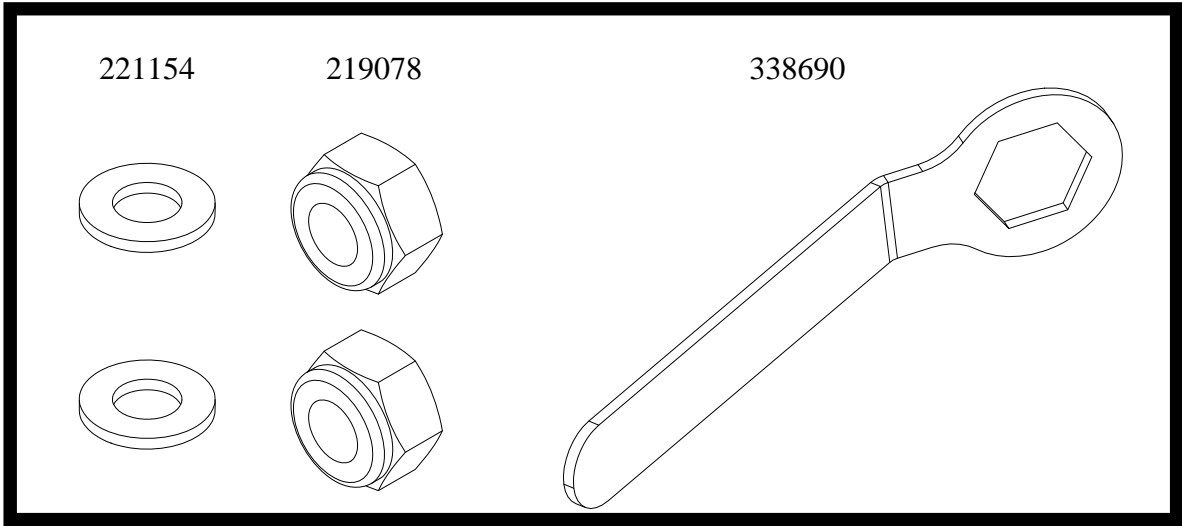


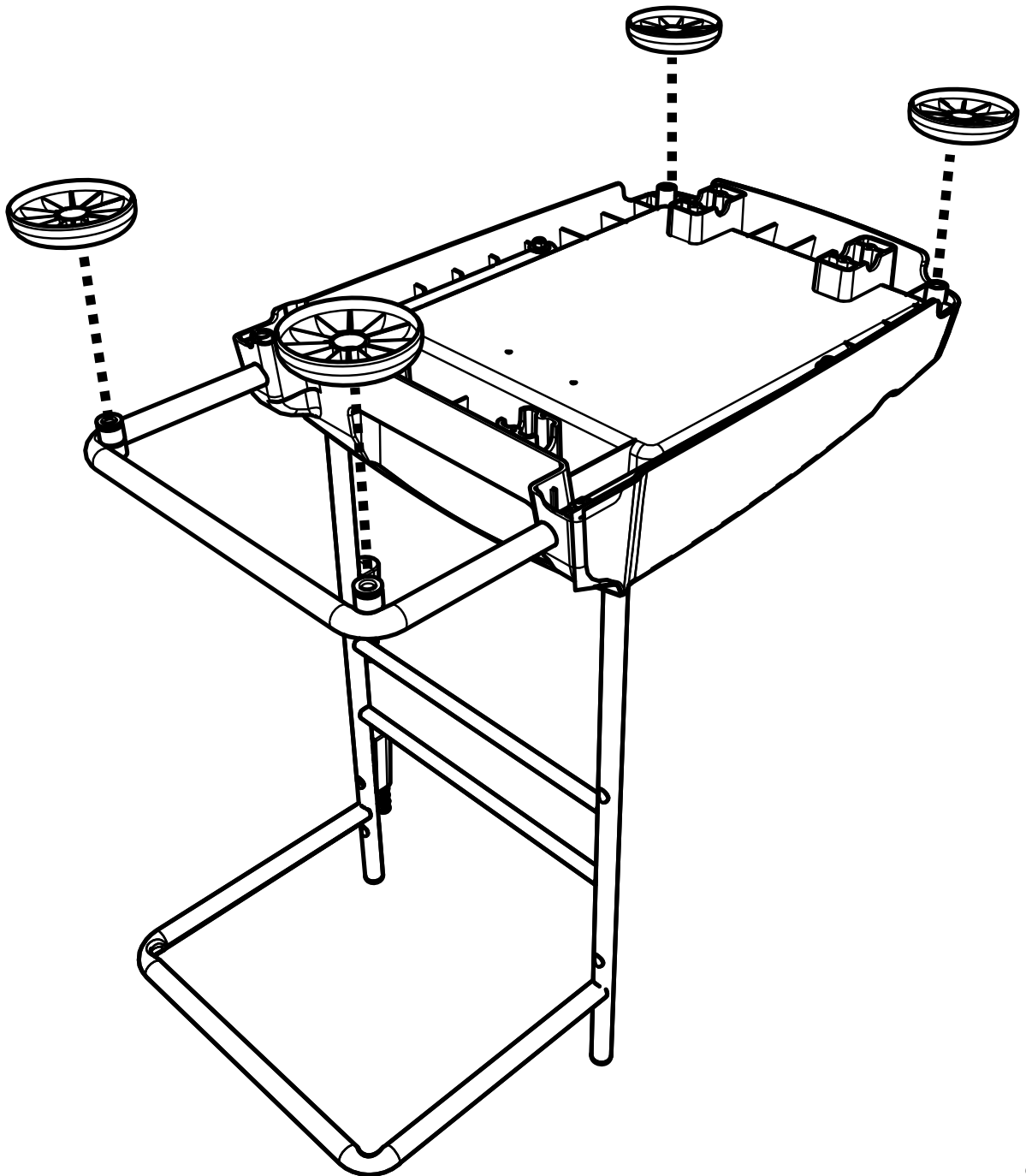
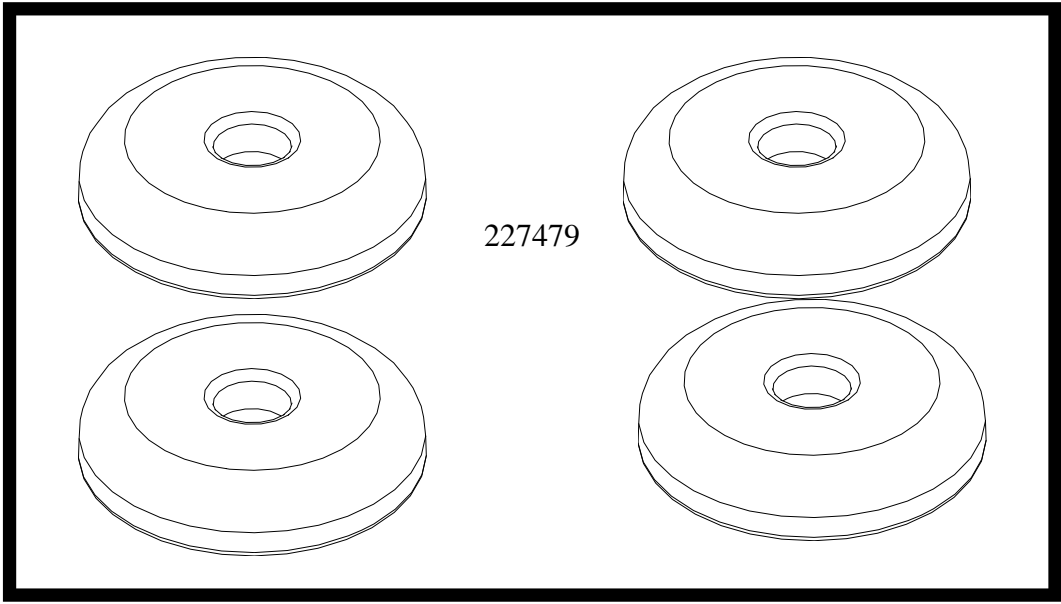




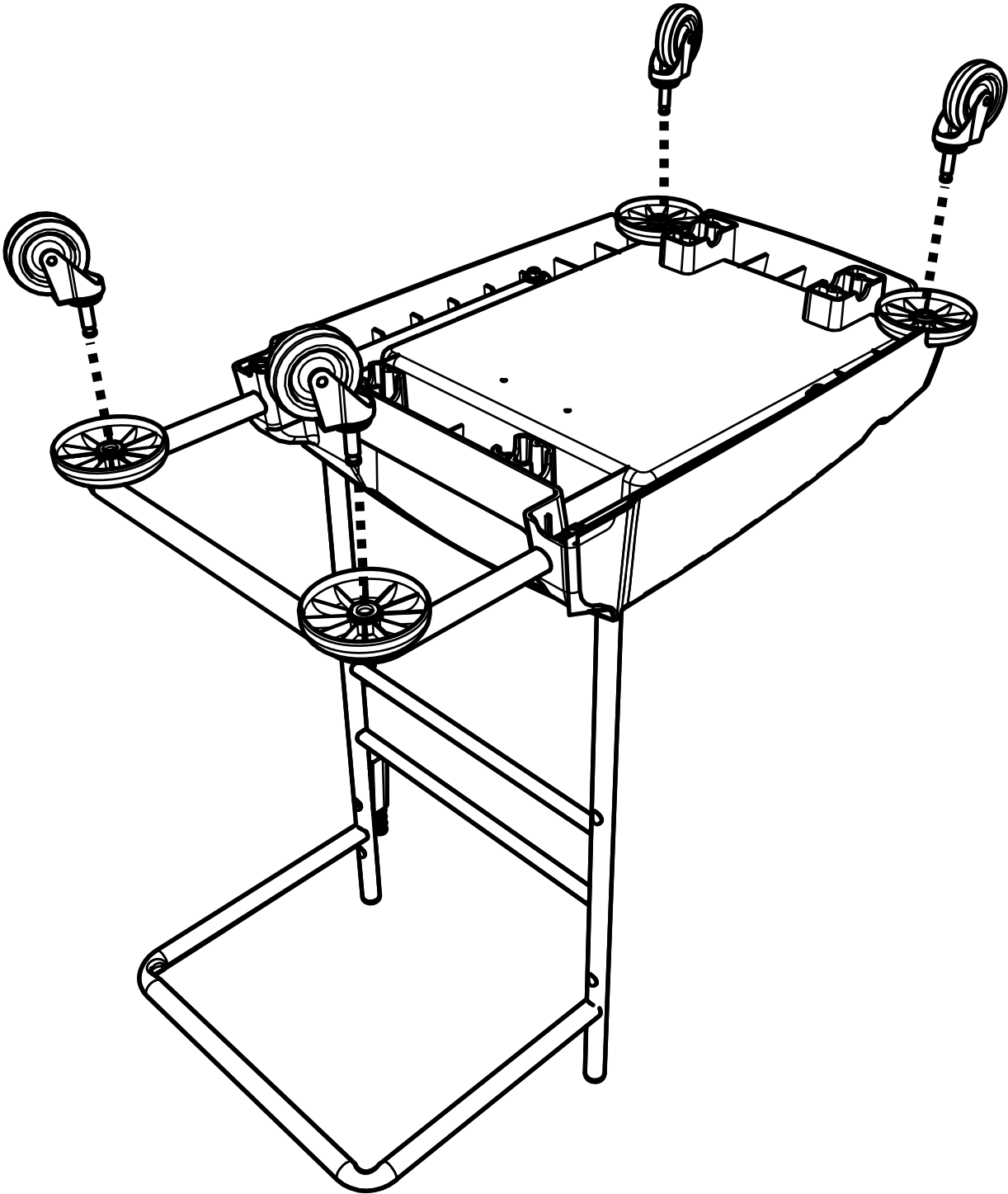
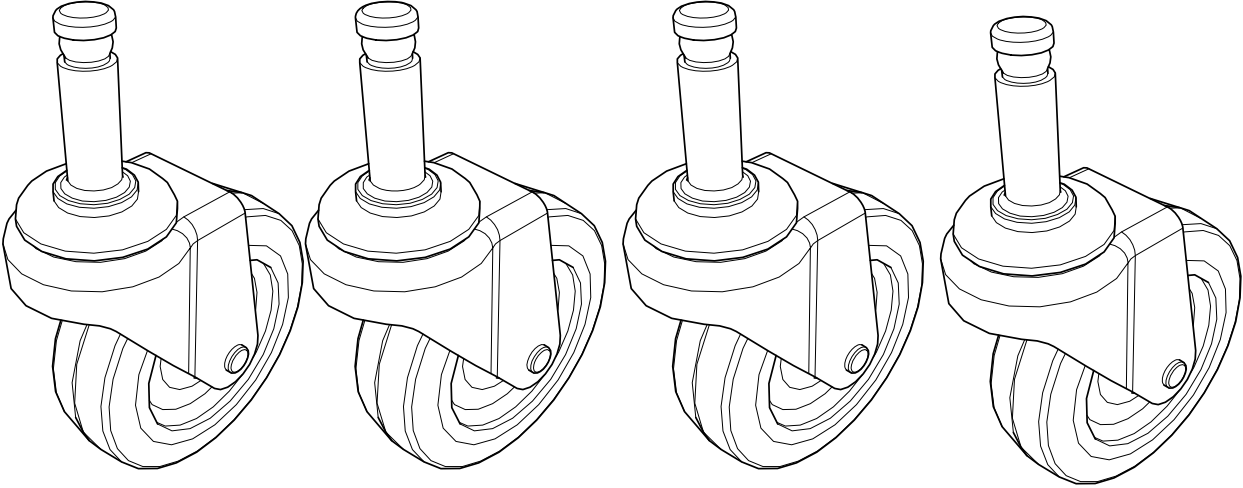
219880

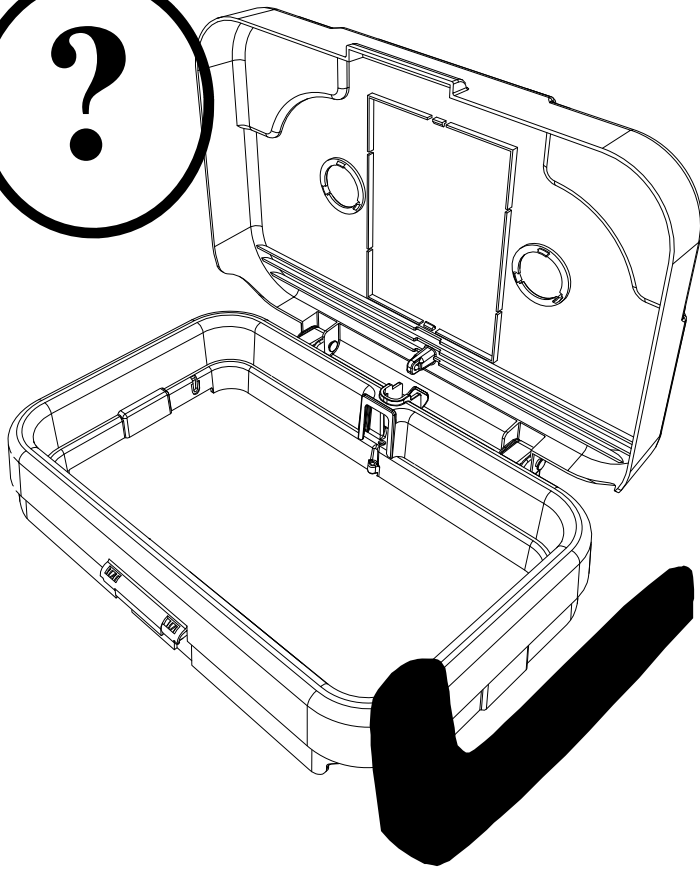




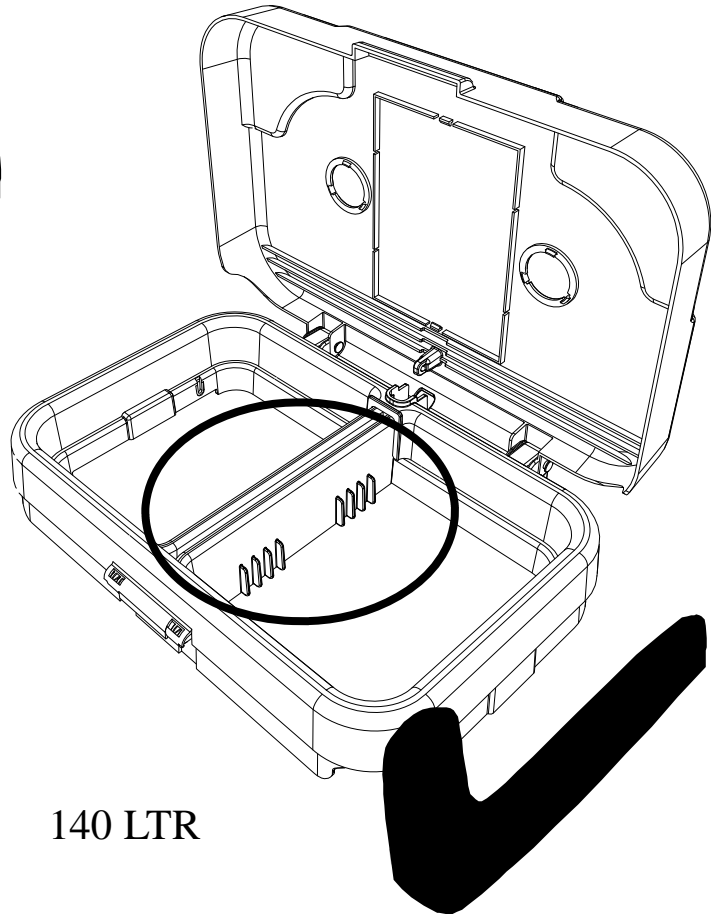


204060





120 LTR



140 LTR

